

DL-1585MH/DL-1585LMH

8" Metal Halide Surface Cylinders

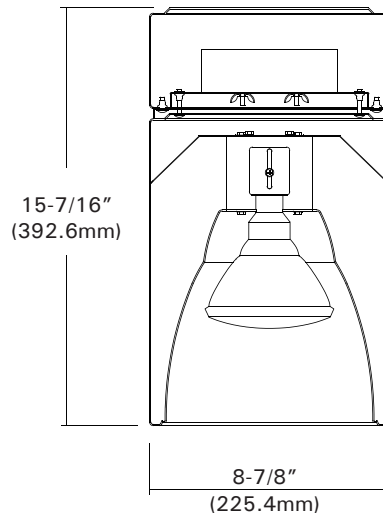
Catalog #		Type
Project		Date
Prepared by		

METAL HALIDE

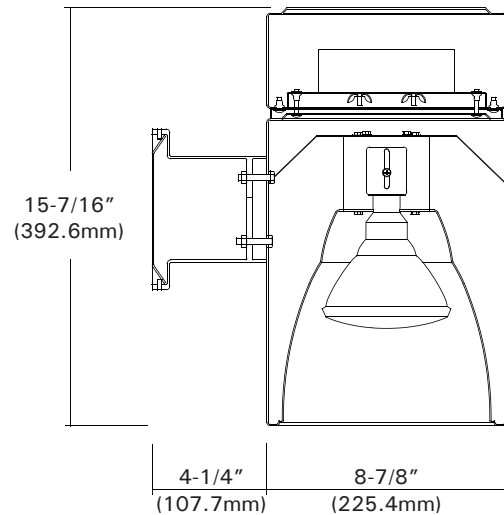


DESCRIPTION

Seamless round cylinder for metal halide lamps. HID electronic ballast installed in separate housing on the top to prevent damage from heat. May choose reflector types and finishes of customizing of lighting effects



Ceiling Mount
DL-1585MH



Wall Mount
DL-1585LMH

DESIGN FEATURES

Reflector

- Anodized clear, Semi-Matte, gold, champagne, pewter color finished full reflectors. Also available anodized reflectors with black or white milled groove baffle collar.

Lower Housing

- Round seamless .060 thick spun aluminum, housing available in semi-matte white, black or silver finish.

Upper housing

- Space for installation of H.P.F T.H.D electronic ballast wiring to lampholder in the lamp housing, Easy access for replacement of ballast.

Electronic Ballast

- 120 or 277 volts for 50/60Hz operation class a sound rated high power factor, T.H.D electronic ballast.

Socket

- 4KV pulse rated medium base with nickel plated screw shell.

Socket Cup

- Heat sink aluminum cup, vertically adjustable multiple lampholder position for various size of lamps.

Wall Bracket (DL-1585LMH)

- Aluminum casted bracket secured to housing by set screws.

* Listing

- cCSA-us certificated.

* Lamp : 100W PAR38MH / ED17

Ordering Information

Cat No.	Lamp(s) Watt.	Finish	Reflector Finish	Option
DL-1585MH DL-1585LMH	39 : 39W 50 : 50W 70 : 70W 100 : 100W	-WH : White -BK : Black -SI : Silver	-CL : Clear -GD : Gold -MA : Matte Platinum -HC : Haze Clear	-WB : White Baffle Collar -BB : Black Baffle Collar

Example : DL-1585MH70-WH-HC